



4th Annual Awards Issue

Architectural PRODUCTS

LIGHTING: INTERIOR



USAI LIGHTING

NanoLED NXT Cylinder

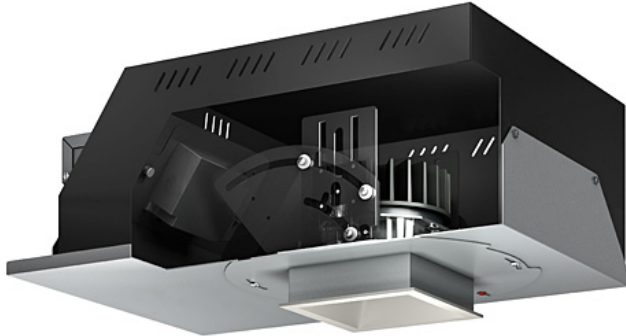
2 Tubular Belles

Unlike traditional decorative pendants, NanoLED NXT Cylinders can stand as a standalone light source, reaching up to 1,000 lm at 20W (49 lm/W); three dimming options provide added flexibility. A variety of mounting options are available, and finishes include two-tone or solid metallics, any Pantone color, or a custom hue. **Judges said:** *“The overall performance of the LED engine, combined with the higher lumen-package delivered from a small form-factor housing, is impressive.”*

www.usailighting.com, Circle 442

Architectural PRODUCTS

LIGHTING: INTERIOR



USAI LIGHTING

Color Select

3 Tuning Time

Color Select is the first architectural LED downlighting fixture offering independent control of both color temperature and intensity. Users can tune white light over the broadest possible color temperature range, and control intensity from 100% down to 0.1% using either standard room-side dimmers or programmable control systems. A complete family portfolio is available. **Judges said:** *"Good output and dimming with color tuning all going in the direction of what we can truly expect from LED products."*

www.usailighting.com, Circle 441