

USAI[®]
Lighting

SliverLED[®]

Precision Lighting

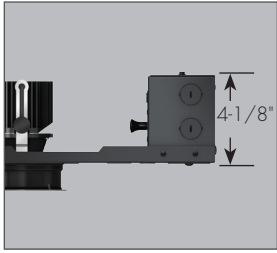


Warm Glow[®] Dimming



Color Harmony[®]

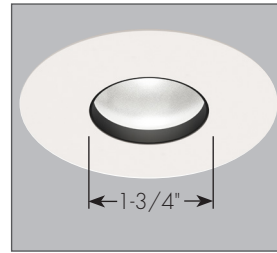
At A Glance



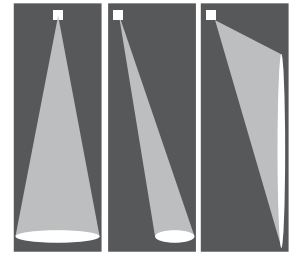
Low Profile Housing



Highest Performing LED Pinhole Available



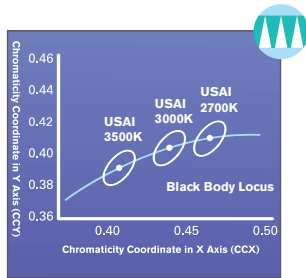
1-3/4" Pinhole Aperture



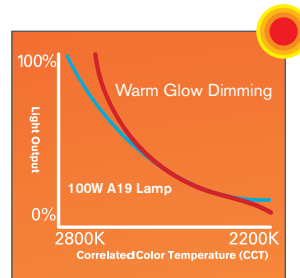
Complete Family Downlight, Adjustable and Wall Wash



5 Year Warranty



2-Step MacAdam Ellipse for Fixture-to-Fixture Color Consistency



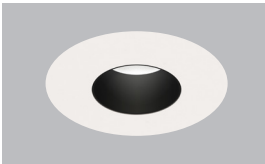
USAI's Warm Glow Dimming is Indistinguishable from Incandescent



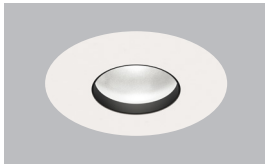
Meets Title 24 High Efficacy LED Requirements

Multiple Functions... Downlight, Adjustable, Wall Wash

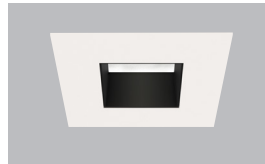
Downlight



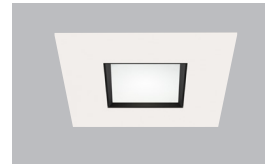
SR11



SR41

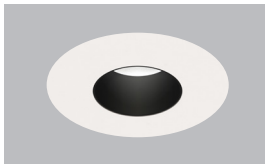


SS11

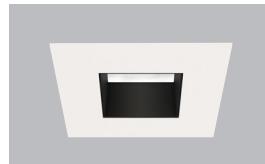


SS41

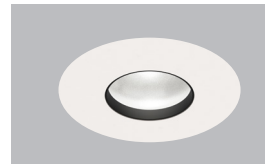
Adjustable



SR21



SS21

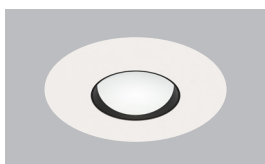


SR21W

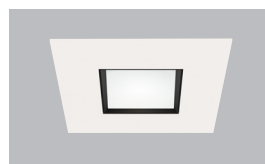


SS21W

Wall Wash



SR51



SS51

Flush-mount

7" \varnothing

3 9/16" \varnothing

SCR2

6"

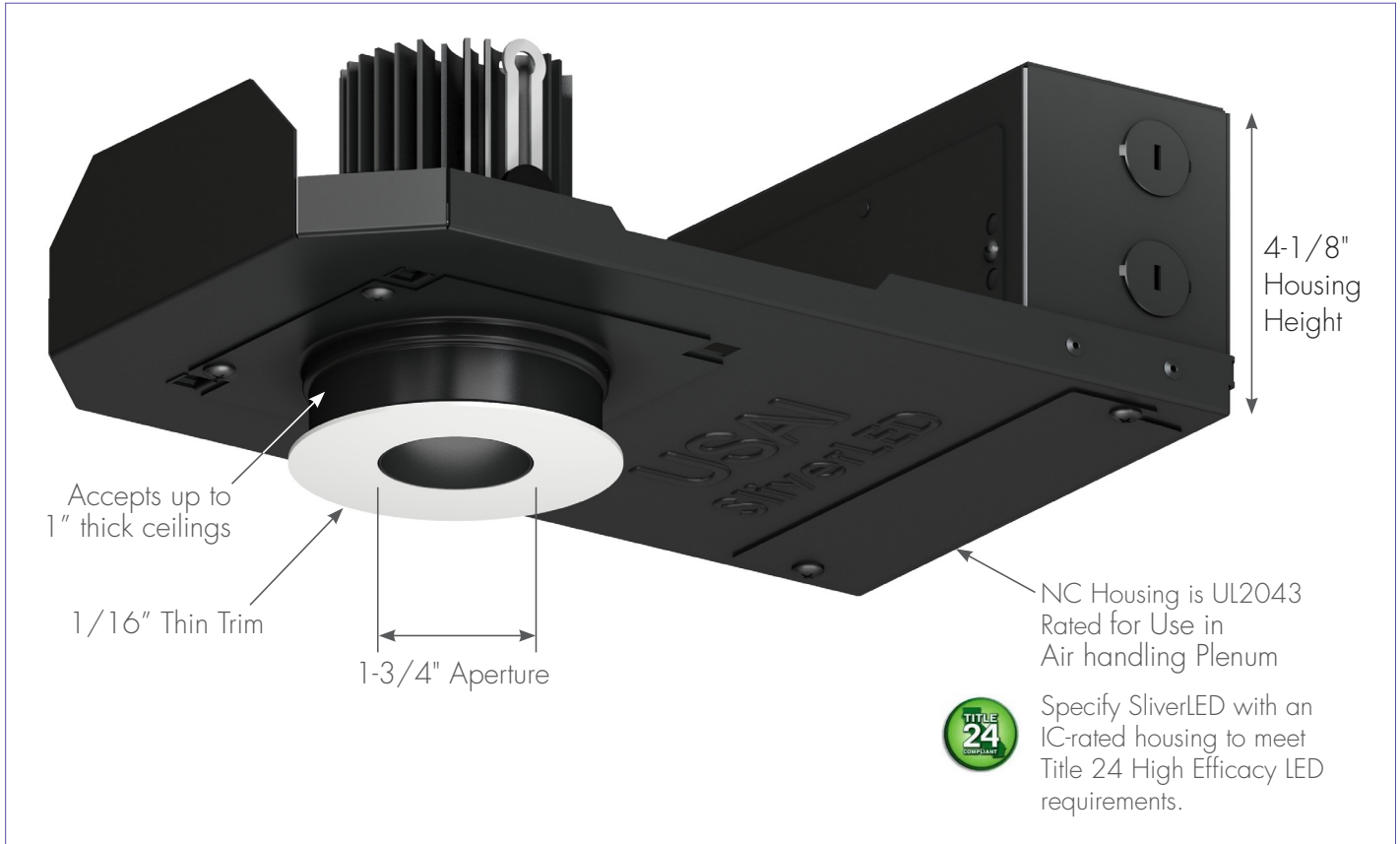
3 9/16" \varnothing

SCS2

SliverLED can be installed in sheetrock in a flush-mount style. Just add the spackle collar accessory, available on every specification sheet for round and square SliverLED trims.

SliverLED®

SliverLED provides a true point source solution where previously only halogen and metal halide sources would do. As the highest performing recessed LED downlight with a 1-3/4" aperture and low glare, SliverLED matches the look and feel of well-loved legacy light sources with all of the modern efficiency and lifetime benefits of LED. Now available in more light outputs, with Warm Glow Dimming, IC-rated housings, and a field-paintable primer finish option, SliverLED is ideal for residential, hospitality, and restaurant settings.



LED Color Options



Classic White

Consistent and uniform white light with an exact color match from fixture to fixture.



Warm Glow

The warmth and glow of incandescent, with all of the benefits of LED.



LED Performance Summary

	Classic White		Classic White	
	9W	15W	9W	15W
Wattage				
Color Rendering Index	80+	90+	80+	90+
Source Lumens	1100	950	1600	1400
Lumens Per Watt	91	80	91	79
Delivered Lumens	850	750	1250	1100



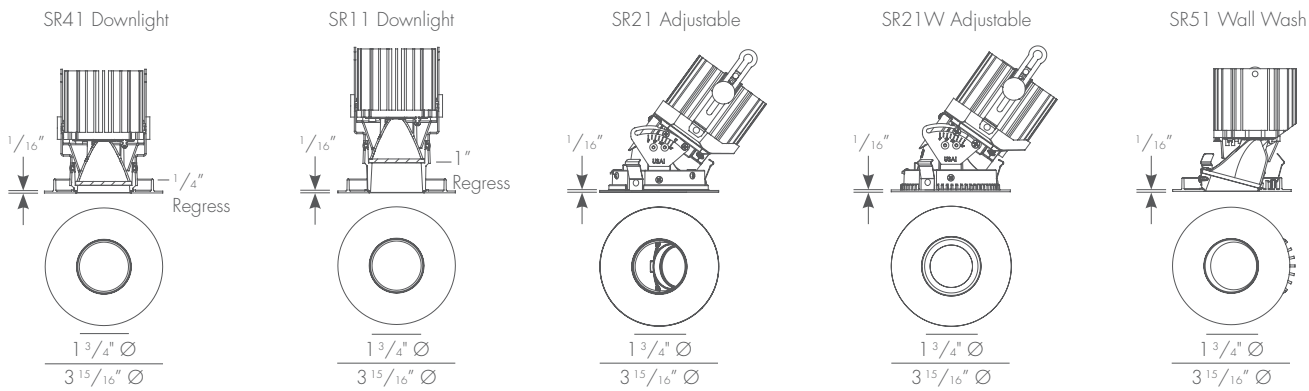
Warm Glow Dimming

	Warm Glow Dimming	
	16W	16W
Wattage		
Color Rendering Index	80+	90+
Source Lumens	900	625
Lumens Per Watt	45	31
Delivered Lumens	725	500

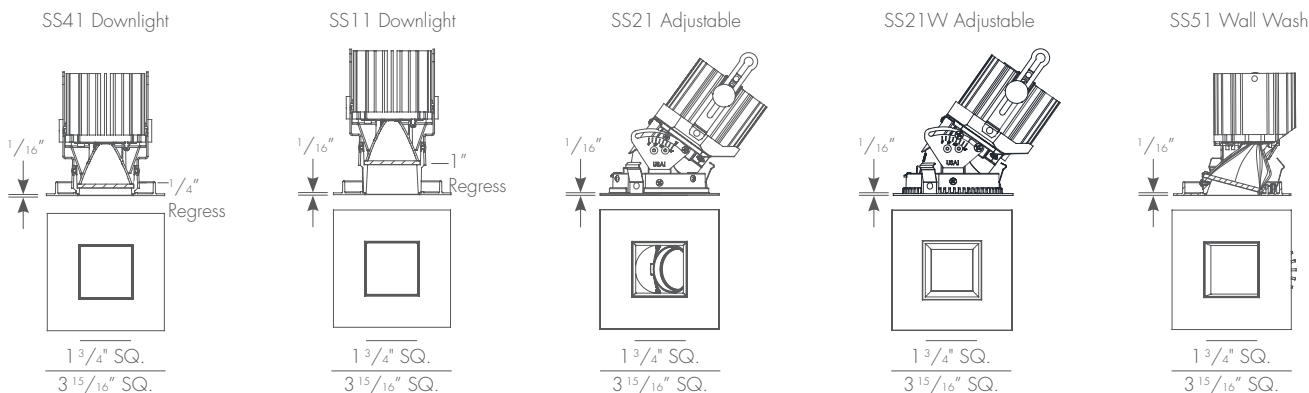
Performance based on 3000K, 1/4" regress white baffle

TRIM OPTIONS

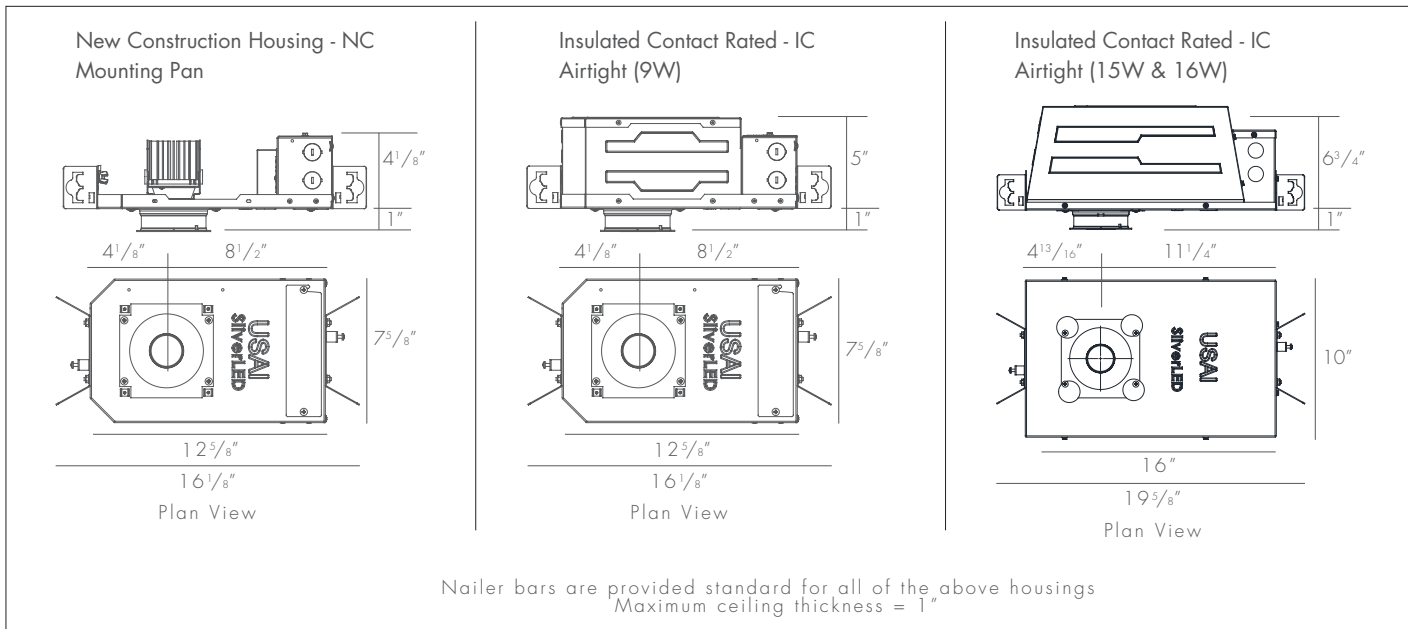
SliverLED Round Trims



SliverLED Square Trims



HOUSING OPTIONS



1126 River Road
New Windsor, NY 12553
P: (845) 565-8500
F: (845) 561-1130
info@usailighting.com

Photo credits

Project: Holt Renfrew (cover image) Photographer: Ben Rahn - A-Frame Studio
Lighting Design: Lightbrigade Architectural Lighting Design Interior Design: Burdillek