



EXPOSED

CEILINGS CELEBRATED

USAI[®]
Lighting



BeveLED® 2.2 Cylinder
 Project: Cemex | Location: Houston, TX
 Architect: Inventure Design | Photograph: G. Lyon Photography



NanoLED® Cylinder
 Project: LiveRamp | Location: San Francisco, CA
 Interior Design: Studio O+A | Photograph: Emily Hagopian

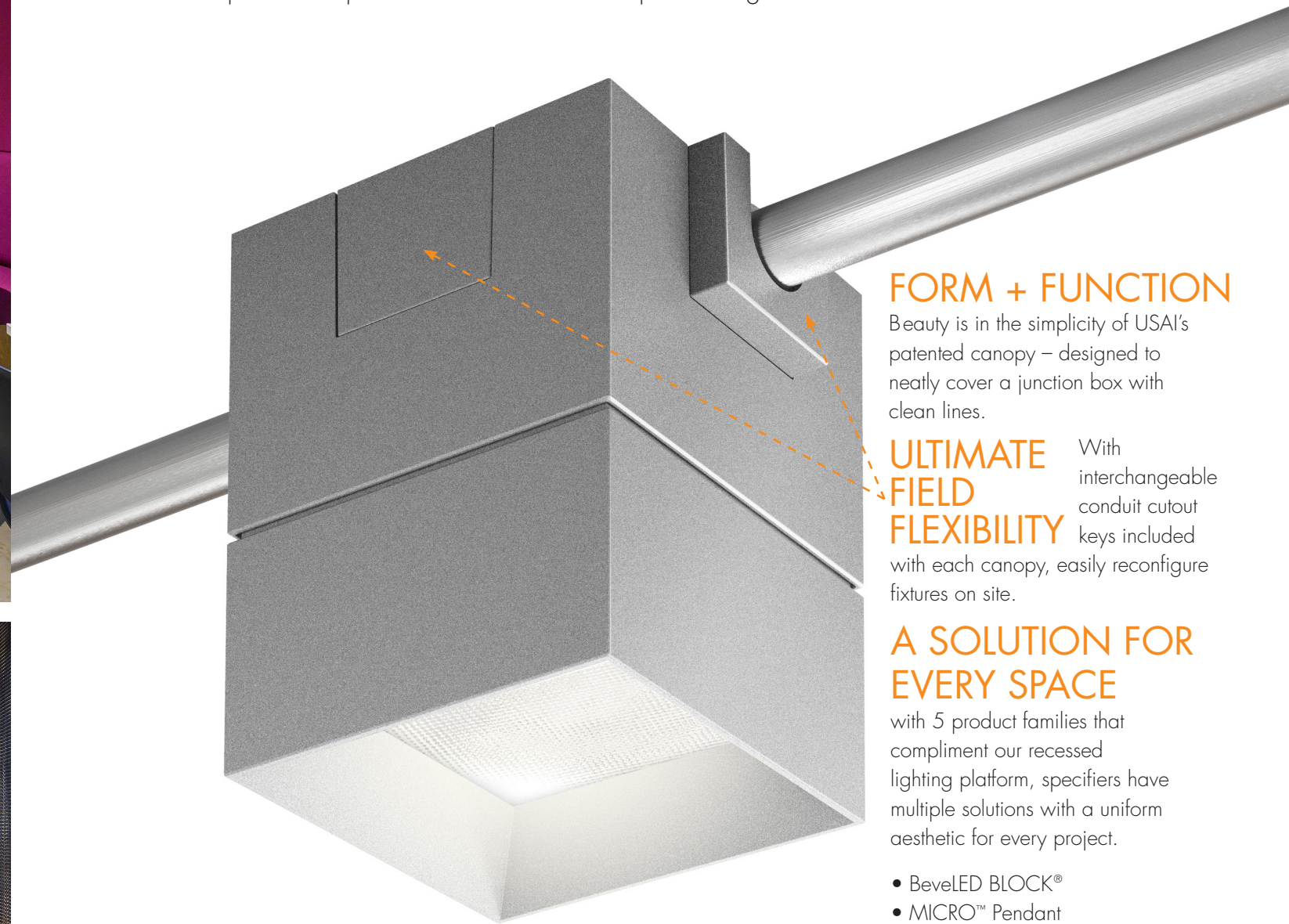


BeveLED BLOCK®
 Project: MiQ Digital | Location: New York, NY
 Architect: Sydness Architects
 Photograph: Jon Nissenbaum

EXPOSED. OPEN.

USAI Celebrates (Un)Finished Ceilings

Reimagining our technology, engineering and design into a complete platform of products and solutions for Open Ceilings.



FORM + FUNCTION

Beauty is in the simplicity of USAI's patented canopy – designed to neatly cover a junction box with clean lines.

ULTIMATE FIELD FLEXIBILITY With interchangeable conduit cutout keys included with each canopy, easily reconfigure fixtures on site.

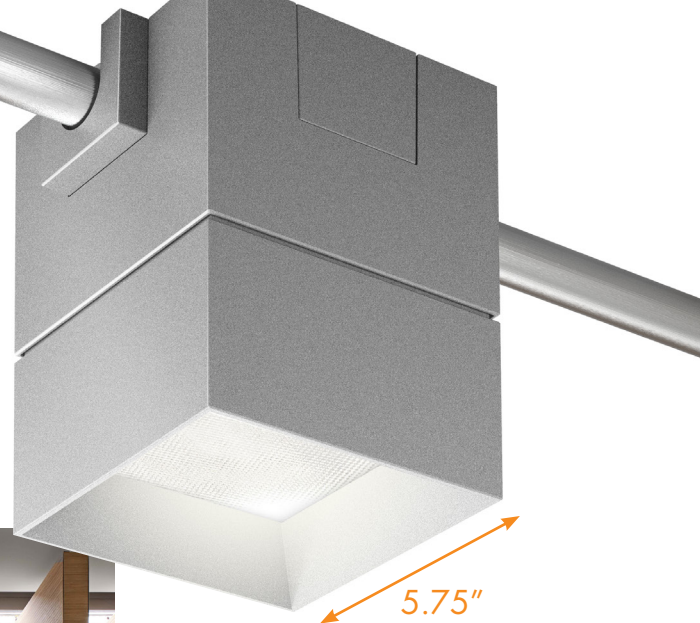
A SOLUTION FOR EVERY SPACE

with 5 product families that compliment our recessed lighting platform, specifiers have multiple solutions with a uniform aesthetic for every project.

- BeveLED BLOCK®
- MICRO™ Pendant
- NanoLED® Cylinders
- BeveLED Mini® Cylinders
- BeveLED® 2.2 Cylinders

BeveLED BLOCK®

BeveLED Block is specifically designed for use with surface-mounted conduit and junction boxes on ceilings where recessed lighting is not possible. Perfect for lofts, offices, and open architectural spaces.



BeveLED BLOCK®
Surface Mount
Conduit Cutout
Downlight



BeveLED BLOCK®
Project: General Growth Properties | Location: Chicago, IL
Lighting Designer: Gwen Grossman Lighting Design | Architect: ARCHIDEAS
Photograph: Eric Laignel

BEVELED BLOCK® FAMILY INFORMATION

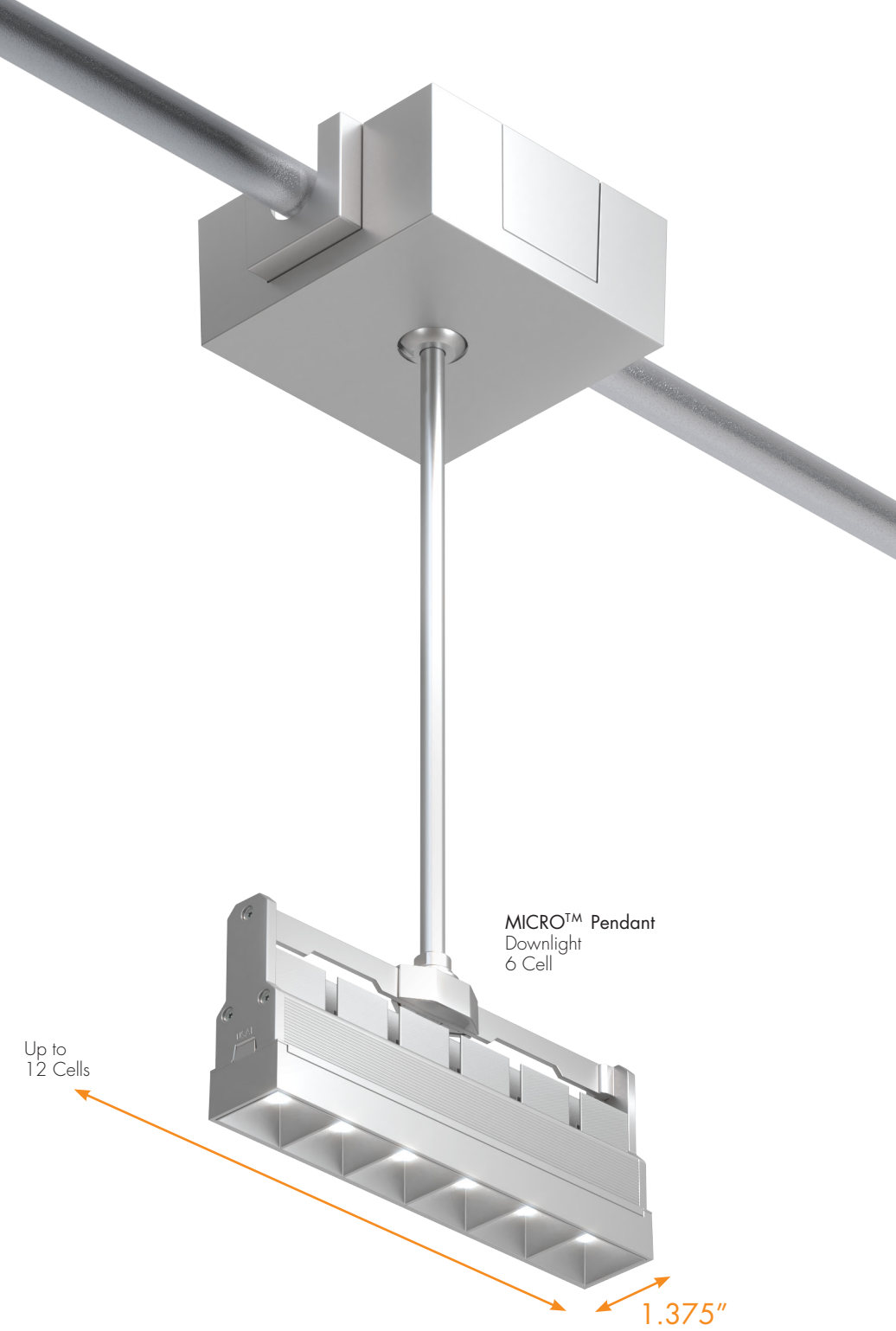
| COLOR TECHNOLOGY | FUNCTION | SOURCE LUMENS | DELIVERED LUMENS | WATTAGE |
|---|--|---------------|------------------|----------|
| <ul style="list-style-type: none"> CLASSIC WHITE® WARM GLOW® DIMMING* | <ul style="list-style-type: none"> DOWNLIGHT WALL WASH | 1150 - 2400 | 850 - 2050 | 9W - 24W |

*Warm Glow Dimming available in downlight configurations only.

MICRO™ Pendant

USA's smallest LED downlight form factor is now available in pendant mount configurations. Our stem-mount solution can be installed with any ceiling type, and Micro Pendant's sleek 1.375" profile integrates beautifully with wood grille ceiling systems.

Suspension options available for every cell size include recessed and surface-mounted junction boxes and conduit, remote and canopy-mounted dimming drivers, and beautifully anodized white, black and silver finishes.



MICRO™ Pendant
Downlight
6 Cell

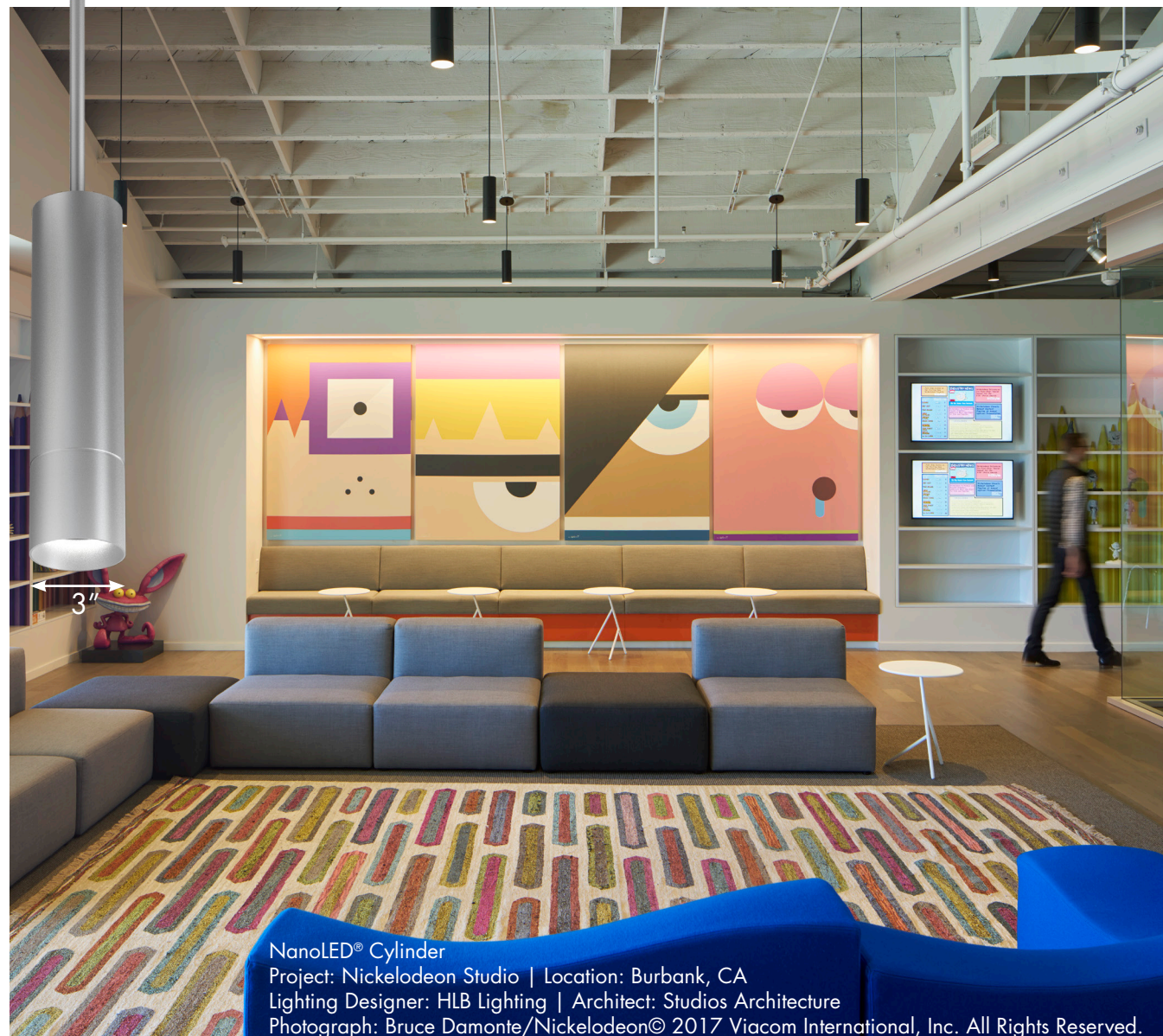
MICRO™ PENDANT FAMILY INFORMATION

| COLOR TECHNOLOGY | FUNCTION | SOURCE LUMENS | DELIVERED LUMENS | WATTAGE |
|--|--|---------------|------------------|----------|
| <ul style="list-style-type: none"> CLASSIC WHITE® | <ul style="list-style-type: none"> DOWNLIGHT WALL WASH | 750 - 4675 | 500 - 3125 | 8W - 41W |

NanoLED® Cylinder

Engineered with the same powerful LED technology as our downlight series, NanoLED Cylinders offer a beautiful and slender solution for open or inaccessible ceilings.

NanoLED® Cylinder
Downlight
Conduit Cutout with Surface J-Box



NanoLED® Cylinder
Project: Nickelodeon Studio | Location: Burbank, CA
Lighting Designer: HLB Lighting | Architect: Studios Architecture
Photograph: Bruce Damonte/Nickelodeon© 2017 Viacom International, Inc. All Rights Reserved.

NANOLED® CYLINDER FAMILY INFORMATION

| COLOR TECHNOLOGY | FUNCTION | SOURCE LUMENS | DELIVERED LUMENS | WATTAGE |
|------------------|-----------|---------------|------------------|-----------|
| CLASSIC WHITE® | DOWNLIGHT | 1100 - 1500 | 875 - 1175 | 14W - 20W |

NanoLED® Glow Cylinder

Performance and Elegance with the same powerful LED technology as our downlight series, NanoLED Glow Cylinders offer a sophisticated solution for open and exposed ceilings.

NanoLED® Glow Cylinder
Downlight
Conduit Cutout with Surface J-Box



NANOLED® GLOW CYLINDER FAMILY INFORMATION

| COLOR TECHNOLOGY | FUNCTION | SOURCE LUMENS | DELIVERED LUMENS | WATTAGE |
|------------------|-----------|---------------|------------------|-----------|
| CLASSIC WHITE® | DOWNLIGHT | 1100 - 1500 | 850 - 1100 | 14W - 20W |

BeveLED Mini® Cylinder

USAI's celebrated BeveLED Mini product line is now available in a 3.5" round or square architectural cylinder form factor. Offered in a variety of finishes with a powerful lumen package.

BeveLED Mini Cylinder
Wall Wash
Conduit Cutout with Surface J-Box



BeveLED Mini® Cylinder
Project: New York Investment Firm | Location: New York City
Lighting Designer: SBLD Studios | Architect: Studios Architecture
Photograph: © Bilyana Dimitrova

BEVELED MINI® CYLINDER FAMILY INFORMATION

| COLOR TECHNOLOGY | FUNCTION | SOURCE LUMENS | DELIVERED LUMENS | WATTAGE |
|--|--|---------------|------------------|----------|
| <ul style="list-style-type: none"> CLASSIC WHITE® WARM GLOW® DIMMING COLOR SELECT® TUNABLE WHITE* INFINITE COLOR+® | <ul style="list-style-type: none"> DOWNLIGHT ADJUSTABLE WALL WASH | 925 - 2475 | 800 - 202 | 9W - 20W |

*Color Select available only in 10" length and adjustable only available in round styles. Infinite Color+ only available with a remote driver.

BeveLED® 2.2 Cylinder

Power and beauty are both in play with our sleek architectural cylinders. USAI's BeveLED 2.2 Cylinders offer a beautiful, decorative solution with satin nickel and painted finishes while delivering high performance.

BeveLED 2.2 Cylinder
Wall Wash
Conduit Cutout with Surface J-Box



BeveLED® 2.2 Cylinder
Project: Hyatt Global Headquarters | Location: Chicago, IL
Lighting Designer: Schuler Shook | Architect: Gensler | Photograph: Rafael Gamo

BEVELED® 2.2 CYLINDER FAMILY INFORMATION

| COLOR TECHNOLOGY | FUNCTION | SOURCE LUMENS | DELIVERED LUMENS | WATTAGE |
|---|---|---------------|------------------|----------|
| <ul style="list-style-type: none"> CLASSIC WHITE® WARM GLOW® DIMMING* COLOR SELECT® TUNABLE WHITE* INFINITE COLOR+® | <ul style="list-style-type: none"> DOWNLIGHT ADJUSTABLE* WALL WASH | 1150 - 4150 | 650 - 3450 | 9W - 36W |

*Warm Glow Dimming, Color Select and Infinite Color+ available in downlight configurations only.

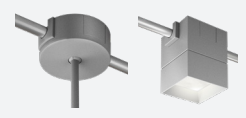


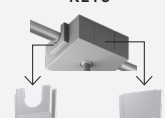
A SOLUTION FOR

EVERY PROJECT


Color Technology Legend

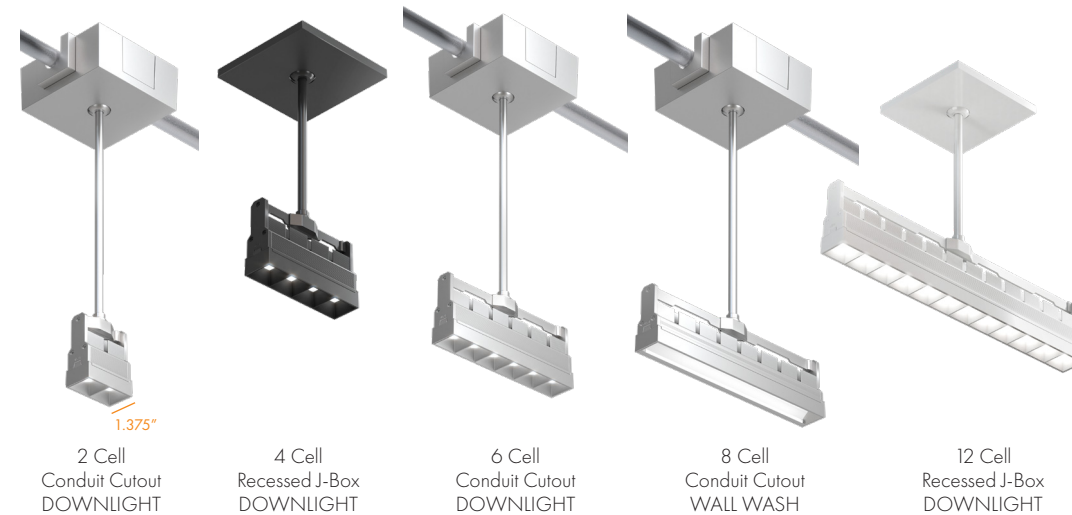
-  CLASSIC WHITE®
-  WARM GLOW® DIMMING
-  COLOR SELECT®
-  INFINITE COLOR+

Mounting Legend

| | | | |
|---|---|--|---|
| <p>CONDUIT CUTOUT MOUNT</p>  <p>Pendant Canopy Surface Mount</p> | <p>FLAT CANOPY MOUNT</p>  <p>Aircraft Cable Pendant Cable Pendant Rigid Stem Pendant</p> | <p>SURFACE MOUNT</p>  <p>Surface Mount</p> | <p>INTERCHANGEABLE KEYS</p>  <p>Conduit Cutout Key Solid Key</p> |
|---|---|--|---|


1.375" MICRO™ Pendant

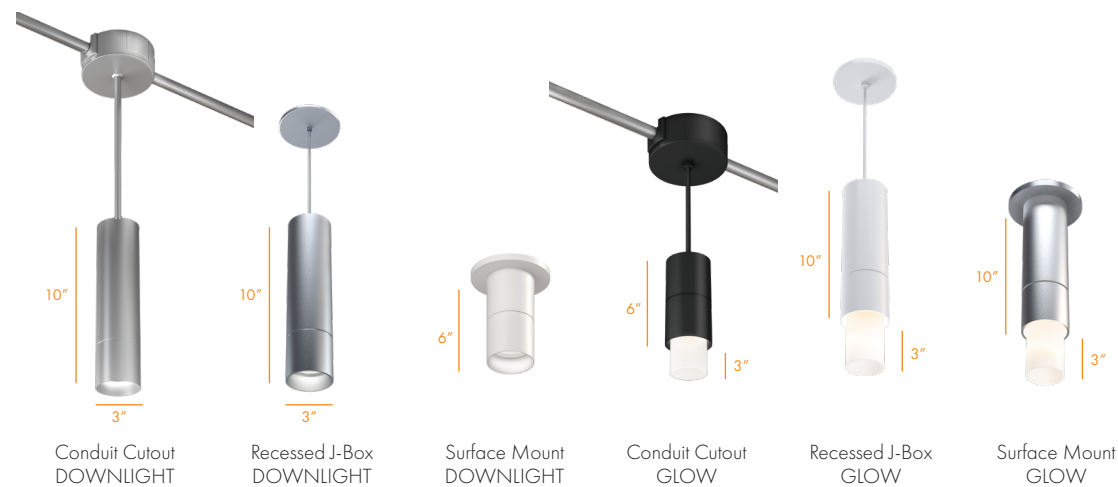
- OPTIONS**
- Cells, 2, 4, 6, 8, 12
 - Conduit Cutout Canopy
 - Recessed J-Box Canopy
 - Rigid Stem Pendant
 - Downlight
 - Wall Wash
 - 



2 Cell Conduit Cutout DOWNLIGHT 4 Cell Recessed J-Box DOWNLIGHT 6 Cell Conduit Cutout DOWNLIGHT 8 Cell Conduit Cutout WALL WASH 12 Cell Recessed J-Box DOWNLIGHT

3" NanoLED® Cylinder and NanoLED® Glow Cylinder

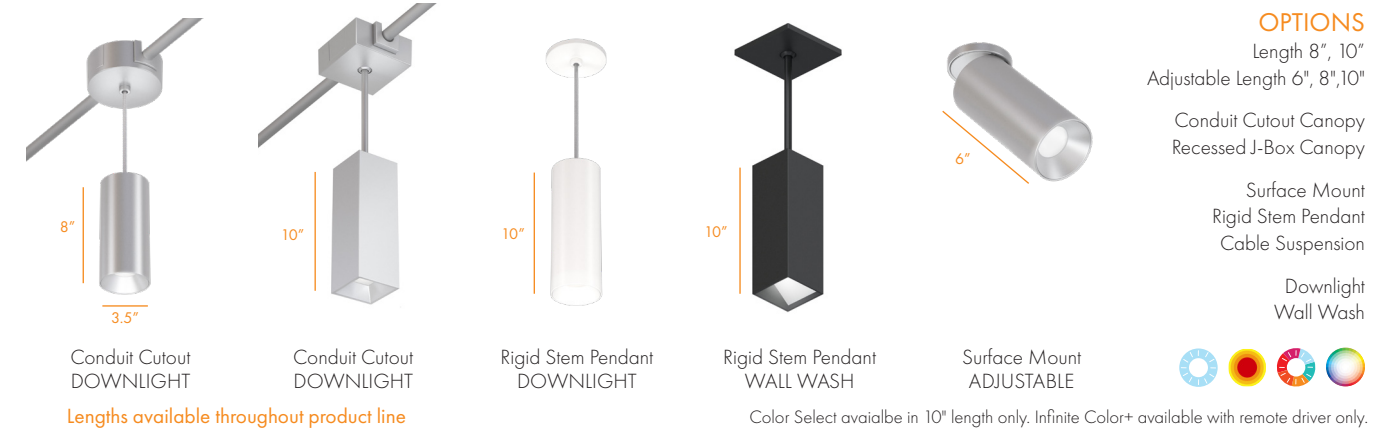
- OPTIONS**
- Length 6", 10"
 - Glass Length 2", 3"
 - Conduit Cutout Canopy
 - Recessed J-Box Canopy
 - Surface Mount
 - Rigid Stem Pendant
 - Cable Suspension
 - Downlight
 - 



Conduit Cutout DOWNLIGHT Recessed J-Box DOWNLIGHT Surface Mount DOWNLIGHT Conduit Cutout GLOW Recessed J-Box GLOW Surface Mount GLOW



Lengths available throughout product line

3.5" BeveLED Mini® Cylinder



Conduit Cutout DOWNLIGHT Conduit Cutout DOWNLIGHT Rigid Stem Pendant DOWNLIGHT Rigid Stem Pendant WALL WASH Surface Mount ADJUSTABLE

OPTIONS

- Length 8", 10"
- Adjustable Length 6", 8", 10"
- Conduit Cutout Canopy
- Recessed J-Box Canopy
- Surface Mount
- Rigid Stem Pendant
- Cable Suspension
- Downlight
- Wall Wash
-    

Color Select available in 10" length only. Infinite Color+ available with remote driver only.

5.75" BeveLED BLOCK®




Conduit Cutout DOWNLIGHT Surface Mount DOWNLIGHT Conduit Cutout WALL WASH Recessed J-Box DOWNLIGHT Recessed J-Box WALL WASH

OPTIONS

- Length 8", 10"
- Conduit Cutout Canopy
- Recessed J-Box Canopy
- Surface Mount
- Rigid Stem Pendant
- Cable Suspension
- Downlight
- Wall Wash
-  




Warm Glow Dimming available in downlight configurations only

6" BeveLED® 2.2 Cylinder



Conduit Cutout DOWNLIGHT Conduit Cutout Aircraft Cable DOWNLIGHT Recessed J-Box ADJUSTABLE Surface Mount WALL WASH Surface Mount CROSS BAFFLE

OPTIONS

- Length 10", 12"
- Conduit Cutout Canopy
- Recessed J-Box Canopy
- Surface Mount
- Rigid Stem Pendant
- Cable Suspension
- Downlight
- Adjustable
- Wall Wash
- Cross Baffle
-    

Warm Glow Dimming, Color Select and Infinite Color+ available in downlight configurations only.

EXPOSED CEILING CELEBRATED



NanoLED® Cylinder

Project: 2U Headquarters | Lighting Designer: CM Kling | Architect: Gensler | Photograph: © Connie Zhou/OTTO

Cover Photo: BeveLED Mini® Cylinder | Project: New York Investment Firm | Location: New York City
Lighting Designer: SBLD Studios | Architect: Studios Architecture | Photograph: © Bilyana Dimitrova

A SOLUTION FOR EVERY PROJECT

USAI[®]
Lighting

CALL, EMAIL, OR VISIT USAILIGHTING.COM TO LEARN MORE.

USAI LIGHTING COLLABORATORY
13 CROSBY STREET
NEW YORK, NY 10013
(845) 234-4090
SHOWROOM@USAILIGHTING.COM

USAI LIGHTING HEADQUARTERS
1126 RIVER ROAD
NEW WINDSOR, NY 12553
(845) 565-8500
INFO@USAILIGHTING.COM

©2019 USAI Lighting All rights reserved. USAI, BeveLED, BeveLED Mini and NanoLED are registered trademarks of USAI, LLC. All designs protected by copyright. Covered by US Patents 10,443,822, D857,289, D858,855, D864,468. Patents pending. CA-098C