

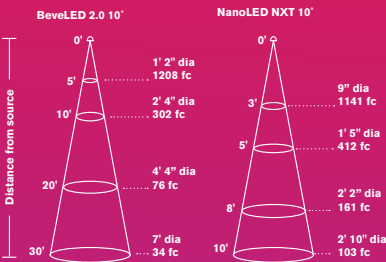
Knock-out Punch



Point Perfect[®]

The wait is over. USAI Lighting's Point Perfect beam control finally gives lighting specifiers an energy-efficient LED option for applications that require a tight, 10-degree beam with precise optics—in apertures as small as 2.5 inches. Point Perfect combines our proprietary, industry-leading LED light engines with our patent-pending 10-degree optical systems. Available in USAI Lighting's BeveLED 2.0, BeveLED Mini, Max Output, NanoLED and Cylinder products, Point Perfect delivers the sparkle and precision formerly available only in tungsten halogen and metal halide point sources.

USAI 10-DEGREE BEAM CONES OF LIGHT



USAI 10-DEGREE BEAM VS. TRADITIONAL SOURCES

	Delivered Lumens	fc at 10'	fc at 20'	CBCP
33W BeveLED 2.0 10'	2350	302	76	30625
90W PAR 38 NSP	1310	102	35	20000
<hr/>				
	Delivered Lumens	fc at 8'	fc at 10'	CBCP
20W NanoLED NXT 10'	1025	161	103	10300
50W MR16 10'	804	85	64	8150

dia: Beam Diameter fc: Foot Candles CBCP: Center Beam Candle Power



Want to know more?

Download a PDF at usalighting.com/pointperfect

845-565-8500

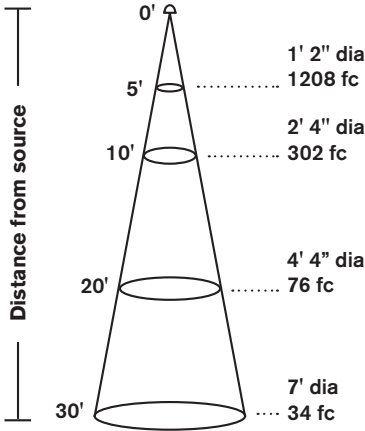
usalighting.com

USAI[®]
Lighting

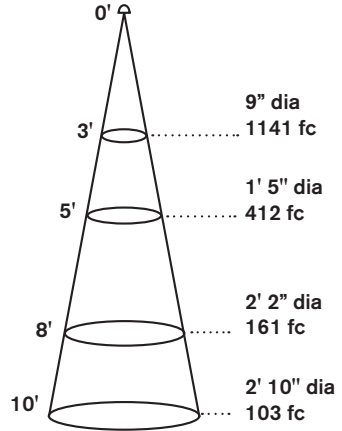
OUR 10° BEAMS

USAI 10-DEGREE BEAM - CONES OF LIGHT

BeveLED2.0®
4.5" Aperture
10° Beam



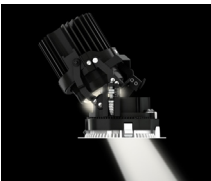
NanoLEDNXT®
2.5" Aperture
10° Beam



USAI 10-DEGREE BEAM VS. TRADITIONAL SOURCES



	Delivered Lumens	fc at 10'	fc at 20'	CBCP
33W BeveLED2.0 10°	2350	302	76	30625
VS.				
90W PAR 38 NSP	1310	102	35	20000



	Delivered Lumens	fc at 8'	fc at 10'	CBCP
20W NanoLEDNXT 10°	1025	161	103	10300
VS.				
50W MR16 10°	804	85	64	8150

dia: Beam Diameter fc: Foot Candles CBCP: Center Beam Candle Power