

USAI[®] Lighting

the LittleTwos[™]

Small, Powerful, and Quiet Runs in the Family

2" aperture pinholes and 2" diameter cylinders





the LittleTwos™

Introducing the LittleTwos™. Small and powerful runs in this family of 2" aperture recessed pinholes and 2" diameter cylinders that offer up to 2000 delivered lumens with advanced glare control.

This **TIER 2** family is complete with high performance and an expansive range of options for trim styles, trim configurations, beam spreads, housings, drivers, and more – offering the flexibility your projects require.

Make the LittleTwos your new "Go TWO Product."

[Access Spec Sheets Here](#) ▾



PICTURED ABOVE the LittleTwos:
Cable Mount Downlight 2" Cylinder - Conduit Silver
2" Recessed Pinhole Trimless Downlight - Black

the LittleTwos™ Pinhole

Small, Powerful, Comfortable and Flexible.

FEATURES

TIER 2



APERTURE & SHAPE



Round and Square

THE POWER

Up to 2000 Delivered Lumens*

TRIMS

Trimmed, Trimless, Millwork

FUNCTIONS

Downlight
Adjustable
Wall Wash

BEAM SPREADS

10°*, 20°, 25°,
30°, 50°, 65°

LED COLOR OPTIONS



Classic White®



Dim-to-Warm



Dim-to-Warm+



Color Select®

HOUSING

Install from Below:

- Trim Installed from Below with Flex Driver Case

New Construction Installations:

- New Construction Tray (NCT)
- Insulation Contact Rated Housing (NCIC)
- Chicago Plenum Housings (NCCP)
- New Construction Above Ceiling Access Housing (ABC)

FINISH OPTIONS



White Matte



Silver Matte



Black Matte



Black Specular

LISTINGS



IBEW Union
Made



Meets WELL
Building Standards



0.1% Dimming
Options



Dry, Damp, Wet
Locations



5 Year
Warranty



Buy American
Act Compliant



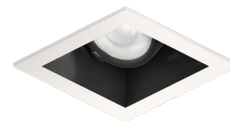
CSA-US Listed

Trim Options

Choose from a variety of trim options and combinations. The LittleTwos Recessed Pinholes are available in trimmed, trimless, and millwork, round or square, downlight, comfort downlight, adjustable, and wall wash. A selection of finishes are available along with options perfect for visually quiet ceiling integrations.



Downlight,
Standard Regress



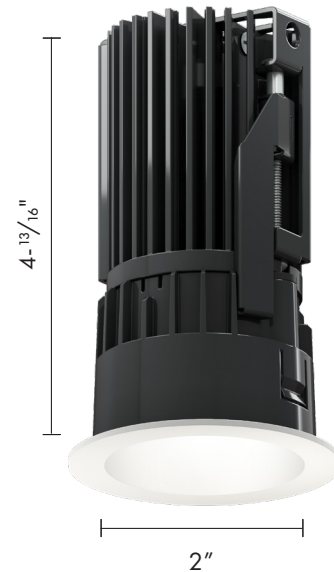
Adjustable Downlight



Downlight, Deep Regress



Wall Wash



.070"



Housings for Every Application

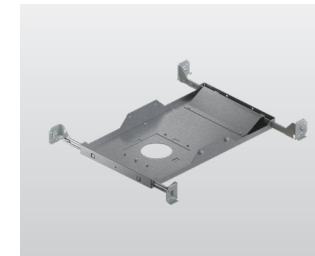
The LittleTwos Pinhole offers new construction and install from below housing options for easy installation in any site condition. Always serviceable from below, select from options to install from above or below the ceiling.

INSTALL FROM BELOW

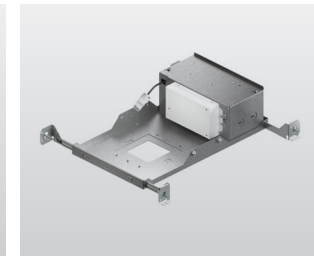


Flex Driver Case

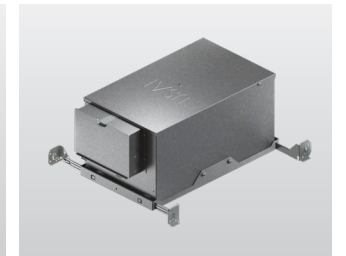
NEW CONSTRUCTION INSTALLATIONS



New Construction Tray (NCT)



New Construction Above Ceiling
Access Housing (ABC)



Insulation Contact and Chicago
Plenum Housings (NCIC, NCCP)



PICTURED ABOVE the LittleTwos:
Cable Mount Downlight 2" Cylinder - White
2" Recessed Pinhole Trimmed Downlight - White

*Available Q4

Flex Your Power with the LittleTwos™ Pinhole

Light spaces with ceilings from 8' to 20' in height while remaining fully serviceable AND installable from below the ceiling plane. USAI's Integral Driver with Flex Case allows the LittleTwos 2" Pinholes to install from below with both trimmed and trimless fixtures.

Install from Below in 3 Easy Steps

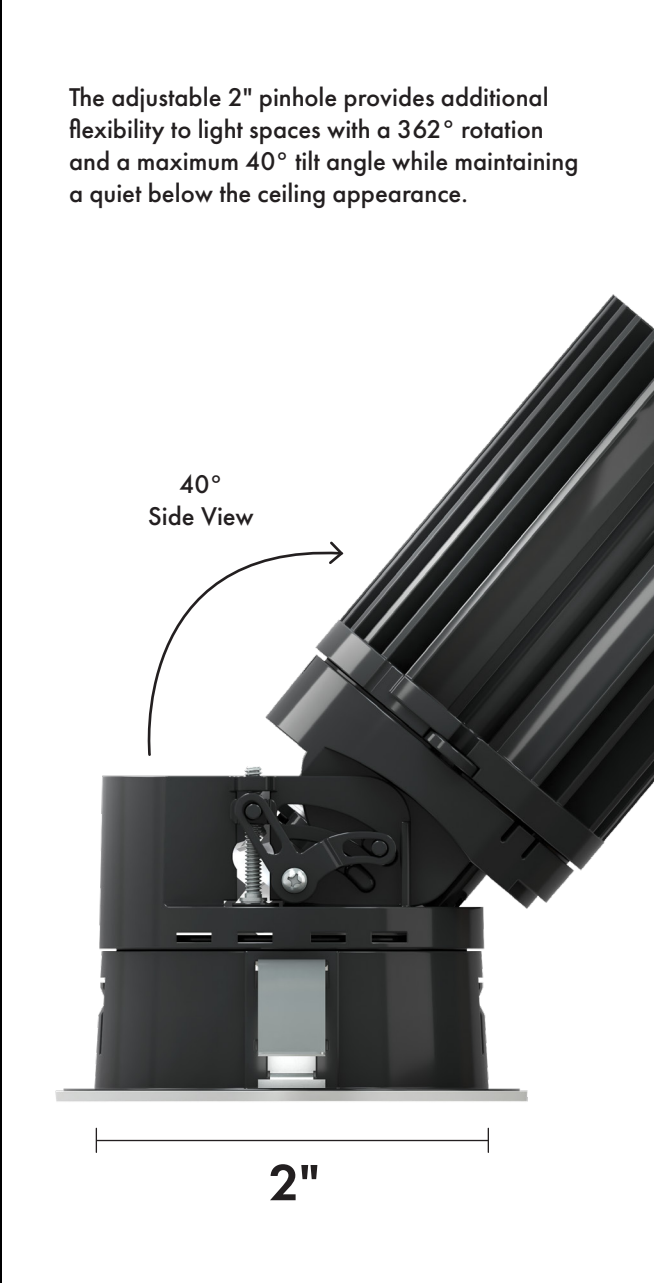


1. Insert Flex Driver Case from Below Ceiling Plane
2. Flex Driver Case Automatically Drops to 90° Angle and Reduces Plenum Height Requirements
3. Finished Installation from Below with Integral Driver

PINHOLE PERFORMANCE DATA	Classic White®					Dim-to-Warm	Color Select®
	7W	9W	11W	15W	*20W	3000K-1800K, 90+ CRI	Tunable White 6000K to 2200K 90+ CRI
Wattage	7W	9W	11W	15W	*20W	15W	15W
Source Lumens	800	1200	1125	1875	2600	1100	1000
Maximum Delivered Lumens	725	900	1025	1400	2000	800	775

*Available Q4

+ Plus Flexibility with an Adjustable Fixture



The adjustable 2" pinhole provides additional flexibility to light spaces with a 362° rotation and a maximum 40° tilt angle while maintaining a quiet below the ceiling appearance.



Adjustable hot aiming with angle indicators located behind lens

the LittleTwos™ Cylinders

Come for the power. Stay for the comfort.

FEATURES

TIER 2



APERTURE & SHAPE



Round

THE POWER

Delivers Over 1000 Lumens

FUNCTIONS

Downlight
Wall Wash
Adjustable
Glow Glass

BEAM SPREADS

15°, 20°, 25°, 35°, 40°,
45°, 50°, 55°, 65°, 70°

LED COLOR OPTIONS

- Classic White®
- Dim-to-Warm
- Dim-to-Warm +

MOUNTING OPTIONS

- Surface Mount
- Cable Mount
- Pendant Stem
- 2", 5" and Conduit Cutout Canopies

DRIVER LOCATIONS

- Recessed Rough-In Enclosure
- Canopy Mounted Driver
- Remote Driver

FINISH OPTIONS

- White
- Conduit Silver
- Grey
- Black
- Bronze
- Clear Matte
- Piano Gloss Black
- Custom RAL#

LISTINGS

- IBEW Union Made
- Meets WELL Building Standards
- 0.1% Dimming Options
- Dry, Damp, Wet Locations
- 5 Year Warranty
- Buy American Act Compliant
- UL Listed

Actual Size



2', 4', 6' and 8' suspension lengths are field cuttable

Cable Mount



4"

2"



PICTURED ABOVE the LittleTwos:
Cable Mount Downlight 2" Cylinder
2" Recessed Pinhole Trimmed Downlight

CYLINDER PERFORMANCE DATA	Classic White® 2700K, 3000K, 3500K, 4000K 80+ and 90+ CRI				Dim-to-Warm 3000K-1800K, 90+ CRI Dim-to-Warm + 3000K-2000K, 90+ CRI
	Wattage	7W	9W	11W	15W
Source Lumens	800	875	1125	1275	1100
Maximum Delivered Lumens	550	700	800	1050	600

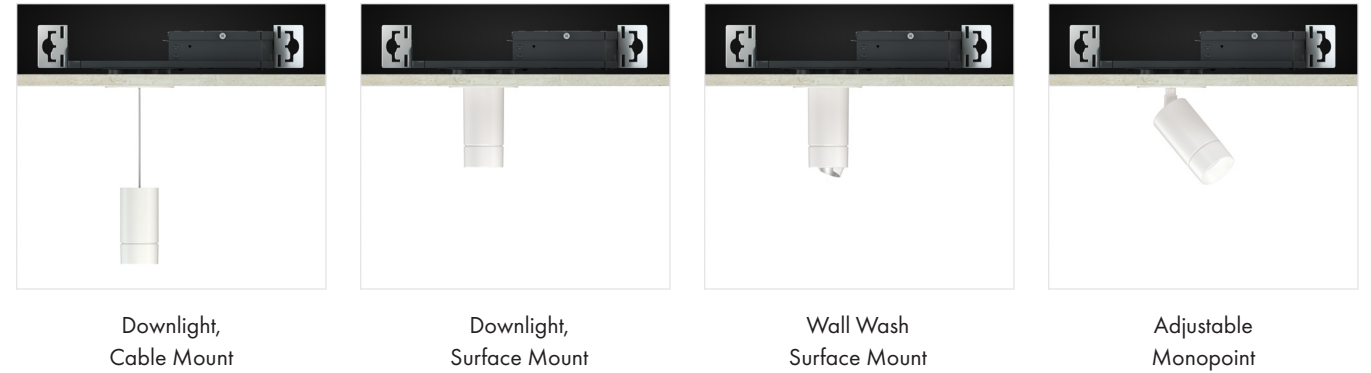
3 ways to stash your drivers



PICTURED ABOVE the LittleTwos:
Cable Mount Downlight 2" Cylinder - White
2" Recessed Pinhole Trimless Downlight - White

1 Recessed Rough-In Driver Enclosure

USAI offers recessed rough-ins which allows drivers to be placed in the ceiling at the light fixture location. Recessed rough-ins act as enclosures for drivers which can be accessed and serviced through the rough-in aperture behind the cylinder canopy.



2 Canopy Mounted Drivers

Two canopy mounted driver options are available – one is for use with recessed junction boxes, and the other is for use with surface conduit and surface junction boxes. All canopy mounted drivers are located within the oversized canopy that are also serviceable from below the ceiling.



3 Drivers & Enclosures

Connect up to four light fixtures at a time to one dimming driver for efficient power distribution and cost savings, or dedicate one fixture per driver to provide optimal performance and the best possible delivered light output. USAI makes your specification process easier by offering different driver enclosures to fulfill all of your project needs, from single driver (seen below) to multi driver pre-wired enclosures. Contact your local USAI representative for more configuration details and applications support.



Better TWO Layer



Layer in your specifications with **the LittleTwos™ TWOgether** to cover your lighting design needs. The 2" family's extraordinary range of options and power with comfort in recessed pinhole and cylinder fixtures will enable specifiers to create the right ambiance while addressing project conditions and requirements. Let your creativity take the lead.

Refer to **page 13** and **14** to view the 2" Family's assortment of trims and configurations.

Refer to **the LittleTwos™ Application Guide** for inspiration and guidance with using the fixtures in various environments: Lobbies, Open Offices, Homes, Restaurants, Retail, and more.

CLICK to check out the LittleTwos™ Application Guide

Everything You Ever Wanted In a 2"

Trims Two Love with the LittleTwos™ Pinhole

Choose from a variety of functions and trim options.

	Trimmed	Trimless	Millwork
Round Downlight			
Square Downlight			
Round Comfort Downlight			
Square Comfort Downlight			
Round Adjustable			
Square Adjustable			
Round Wall Wash			
Square Wall Wash			

Cylinder Configurations

with the LittleTwos™ Cylinders

The LittleTwos Cylinders are available in an expansive assortment of configurations to provide options for nearly every design requirement. Select from a variety of functions and mounting options.



Mounting Options

Choose the best option for your ceiling installation.



2" Canopy Remote Driver
• High Output
• Standard Output

5" Canopy Recessed Driver
• High Output

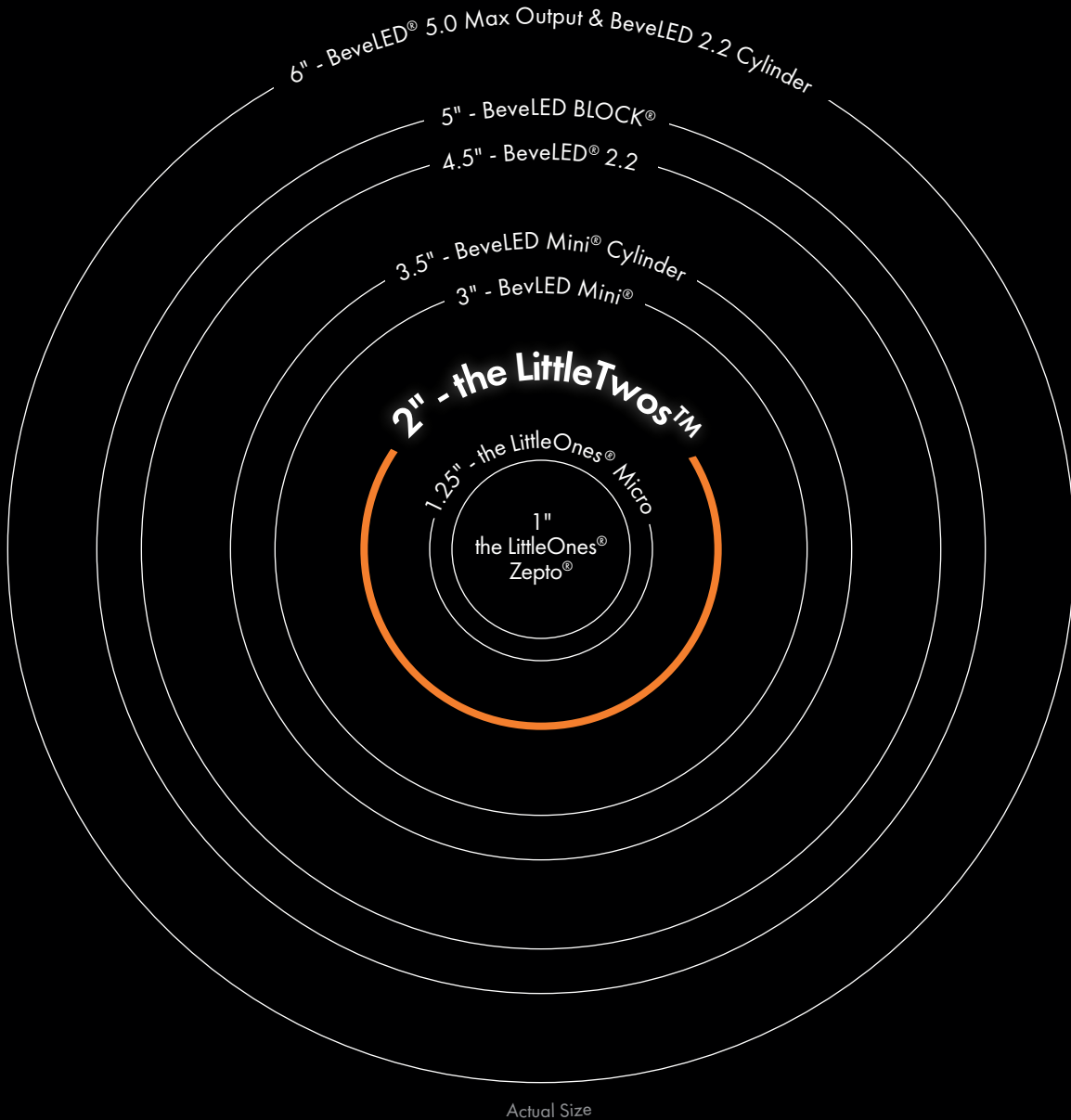
Conduit Cutout Canopy Remote Driver
• High Output
• Standard Output

Driver Canopy
• High Output

Conduit Cutout Driver Canopy
• High Output

Better **TWO**gether

USAI Lighting offers a robust platform of recessed and cylinder downlights in a variety of sizes to address the needs for every space. Select the ones that best suit your performance requirements while providing a consistent below-the-ceiling appearance.



CALL, EMAIL, OR VISIT [USAILIGHTING.COM](https://www.usailighting.com) TO LEARN MORE

USAI LIGHTING COLLABORATORY
13 CROSBY STREET
NEW YORK, NY 10013
(845) 234-4090
SHOWROOM@USAILIGHTING.COM

USAI LIGHTING HEADQUARTERS
1126 RIVER ROAD
NEW WINDSOR, NY 12553
(845) 565-8500
INFO@USAILIGHTING.COM

©2024 USAI, LLC. All rights reserved.
the LittleTwos is trademarked and USAI, Classic White and Color Select are registered trademarks of USAI LLC. All designs protected by copyright.
Covered by US Patents. Patents pending.
CA-168A